

GENERAL TECHNICAL CHARACTERISTICS

Dielectric : Polypropylene film
 Construction : Extended double side Metallized carrier film
 with internal series connection and Metallized film
 Case : Aluminium case
 Flame retardant execution (UL94V-0).
 Leads : Tinned insert M10 or M12 fillde with resin

ELECTRICAL CHARACTERISTICS

Working temperature : - 40 to + 85 °C
 Capacitance : 400~6000µF
 Rated Voltage : 800 ~3600VDC
 Tolerance : ± 5%, ± 10%
 Dissipation factor: Measured at 1000±20 Hz AND 25±5°C.
 When $C \leq 1.0\mu F$, 4×10^{-4} ;
 When $C > 1.0\mu F$, 6×10^{-4}

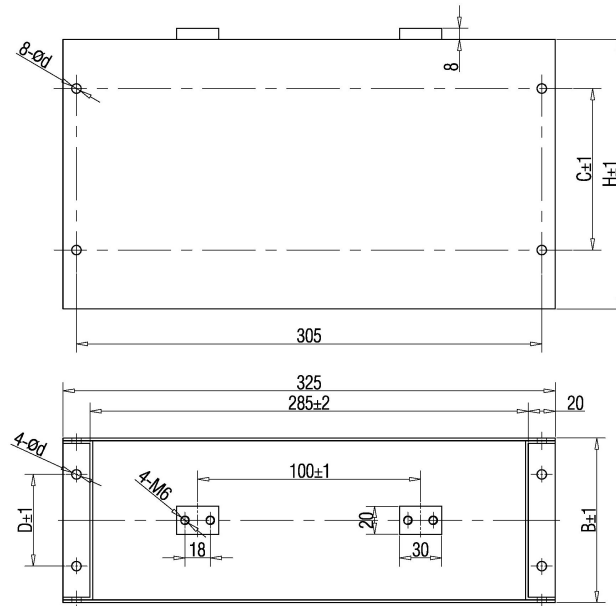
Life expectancy: 30,000 hours at Un and 70°C
 (Hotspot temperature)



TEST METHODS AND PERFORMANCES

Dielectric strength: 1.5Ur (DC) applied for 10s at 25±5°C
 (1 Minute for type test)
 Insulation resistance : 3000s but need not exceed 30GΩ
 (typical value), after 1 Minute of
 electrification at 100Vdc (25±5°C)

Outline drawing



Case	B	H	C	D	d
A1	120	160	80	80	7
A2	120	225	100	80	7
A3	120	290	120	80	7
B1	230	225	100	150	9
B2	230	290	120	150	9
B3	230	355	150	150	9

Electrical specifications, ordering codes

Ordering Code	Cap (μF)	Case code	Ls (nH)	ESR@1.0k Hz	Irms@25° C	Rth (k/w)	Weight (Kg)
Un 800VDC Us 1200V							
DHG-800-3000-A1	3000	A1	<120	1.37	110	0.98	8
DHG-800-4500-A2	4500	A2	<120	1.08	140	0.74	11
DHG-800-6000-A3	6000	A3	<120	0.93	160	0.59	14
Un 1000VDC Us 1500V							
DHG-1000-1700-A1	1700	A1	<120	1.70	100	0.98	8
DHG-1000-2600-A	2600	A2	<120	1.28	130	0.74	11
DHG-1000-3500-A	3500	A3	<120	1.08	150	0.59	14
Un 1200VDC Us 1800V							
DHG-1200-1200-A1	1200	A1	<120	1.92	90	0.98	8
DHG-1200-1800-A	1800	A2	<120	1.44	120	0.74	11
Un 1600VDC Us 2400V							
DHG-1600-680-A1	680	A1	<120	2.37	80	0.98	8
DHG-1600-1000-A	1000	A2	<120	1.77	110	0.74	11
DHG-1600-1350-A	1350	A3	<120	1.44	130	0.59	14
Un 1800VDC Us 2700V							
DHG-1800-550-A1	550	A1	<120	2.56	80	0.98	8
DHG-1800-800-A2	800	A2	<120	1.92	100	0.74	11
DHG-1800-1100-A3	1100	A3	<120	1.53	130	0.59	14
Un 2000VDC Us 3000V							
DHG-2000-1300-B1	1300	B1	<120	2.57	100	0.54	21
DHG-2000-1700-B	1700	B2	<120	2.20	120	0.44	27
DHG-2000-2200-B	2200	B3	<120	1.93	140	0.37	32
Un 2400VDC Us 3600V							
DHG-2400-900-B1	900	B1	<120	2.89	100	0.54	21
DHG-2400-1200-B	1200	B2	<120	2.42	120	0.44	27
DHG-2400-1500-B	1500	B3	<120	2.13	140	0.37	32
Un 2800VDC Us 4200V							
DHG-2800-660-B1	660	B1	<120	3.21	90	0.54	21
DHG-2800-880-B2	880	B2	<120	2.66	110	0.44	27
DHG-2800-1100-B3	1100	B3	<120	2.32	130	0.37	32
Un 3200VDC Us 4800V							
DHG-3200-500-B1	500	B1	<120	3.55	90	0.54	21
DHG-3200-680-B2	680	B2	<120	2.87	110	0.44	27
DHG-3200-850-B3	850	B3	<120	2.50	130	0.37	32
Un 3600VDC Us 5400V							
DHG-3600-400-B1	400	B1	<120	3.83	90	0.54	21
DHG-3600-540-B2	540	B2	<120	3.10	100	0.44	27
DHG-3600-680-B3	680	B3	<120	2.67	120	0.37	32

How to Order:

DHG 3600 - K- 1100 B3

